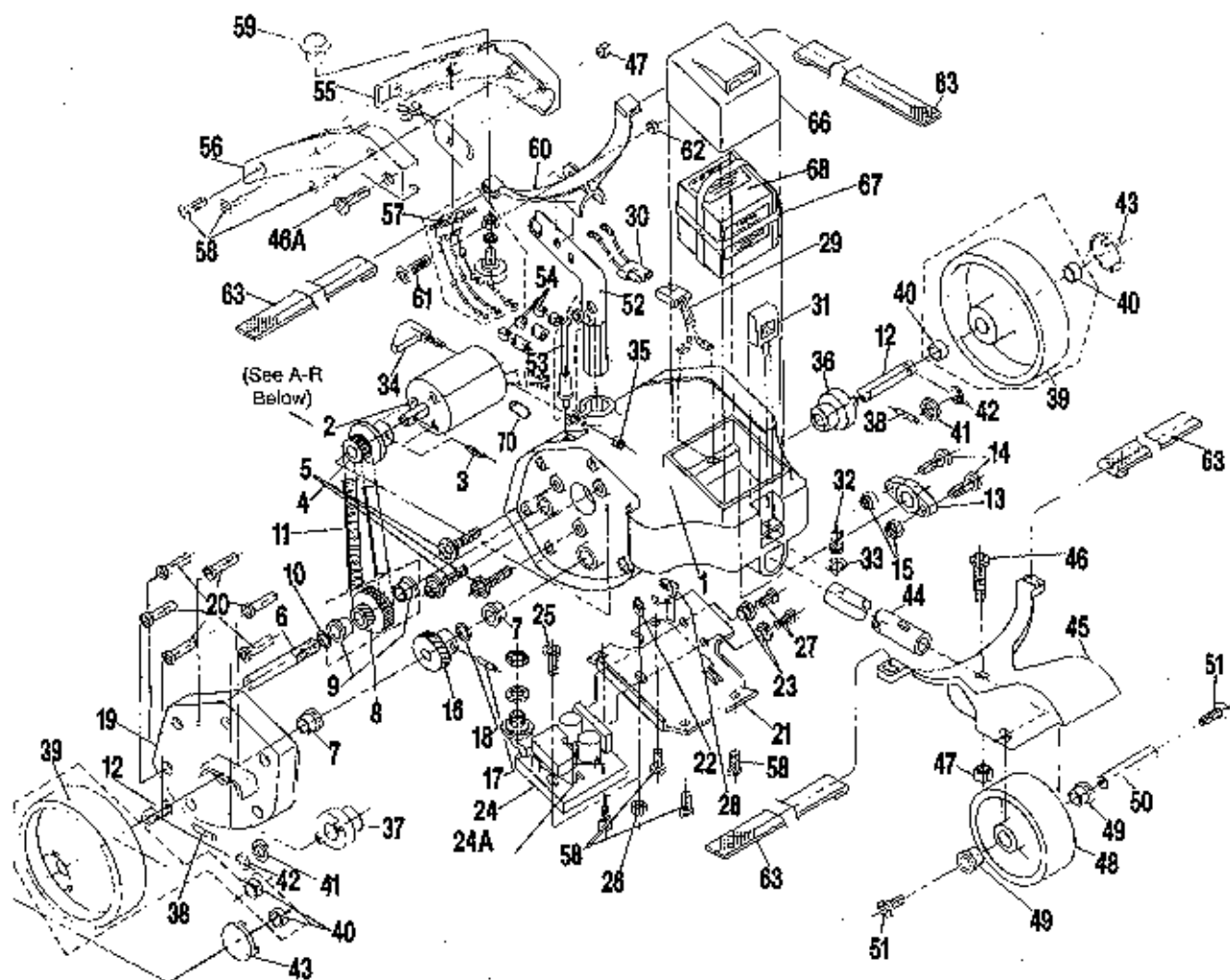


PARTS DIAGRAM



ELECTRIC GOLF CADDY

REPLACEMENT PARTS

Item No.	Part No.	Description	Item No.	Part No.	Description
1	K0212	Chassis	37	K7230	Clutch Assembly-Right Hand
2	K7000	Gear Drive Motor (See A-R)	38	K7290	Drive Pin (2 req'd.)
3	K2800	Roll Pin	39	K8800	Rear Wheel (2 req'd.)
4	K2300	Pulley	40	K0010	Bearing (4 req'd.)
5	K2111	Screw-No. 10-32 x 1/4 (3 req'd.)	41	K1700	Washer (2 req'd.)
6	K0520	Shaft	42	K3010	Retaining Ring (2 req'd.)
7	K0000	Rear Axle Bearings (2 req'd.)	43	K0220	Hub Cap-Rear Wheel (2 req'd.)
8	K2230	Pulley Gear	44	K2010	Front Wheel Tube
9	K0040	Bearing (2 req'd.)	45	K6500	Front Wheel Housing
10	K1730	Thrust Washer	46	K2197	Screw-#10-24 x 1-1/4
11	K0800	Drive Belt	46A	K2198	Screw-#10-24 x 1-1/2
12	K0510	Rear Axle	47	K2195	Hex. Nut (2 req'd.)
13	K0030	Mounting Bearing	48	K8630	Front Wheel
14	K2106	Screw 1/4-20 x 1/2 (2 req'd.)	49	K0020	Nyloner Bearing-Front Wheel (2 req'd.)
15	K3120	Hex. Nut (2 req'd.)	50	K0500	Front Axle
16	K2222	Output Gear	51	K2101	Screw-1/4-20 x 1/2 (2 req'd.)
17	K0540	Pin-Drive Shaft	52	K2000	Handle Tube
18	K1710	Thrust Washer	53	K0700	Cord Handle
19	K0230	Cover-Gearcase	55	K0900	Left Handle
20	K3430	Screw-No. 8-16 x 1/4 (6 req'd.)	56	K0901	Right Handle
21	K1900	Plate-Control Board Mounting	57	K4011	Switch Harness Assembly
22	K1500	Spacer	58	K2194	Screw-No. 8-18 x 1/4 (7 req'd.)
23	K1720	Shoulder Washer (2 req'd.)	59	K0100	Speed Selector Knob
24	K4001	Control Board Assembly	60	K3900	Upper Bag Rest
24A	K4999	Shrink Tube (4 req'd.)	61	K2130	Screw-1/4-20 x 1-1/4
25	K2198	Screw-No. 8-32 x 1/2	62	K3100	Hex. Nut-Bag Rest
26	K3130	Hex. Nut	63	K3801	Velcro Strap Set (2 req'd.)
27	K2199	Screw-No. 8-32 x 3/8 (2 req'd.)	66	K0240	Battery Cover
28	K6300	Tie Wrap	67	K3810	Handle Strap-Battery (Obsolete)
29	K0801	Leadwire-Control Board	68	K8702	Battery
30	K0604	Leadwire-Battery	70	K6716	Battery Charger (Schumacher 220 VAC 50 Hz) Continental Europe
31	K0110	Release Knob	71	K8719	Battery Charger (240 VAC 50 Hz) UK
32	K2720	Release Knob Spring	72	K8721	Soneil Charger - Wide Input VAC
33	K3199	E-Ring	73	K8725	Charger Guest USA 115 VAC 60 Hz
34	K0120	Tension Knob			
35	K3110	Hex. Nut			
36	K7220	Clutch Assembly-Left Hand			